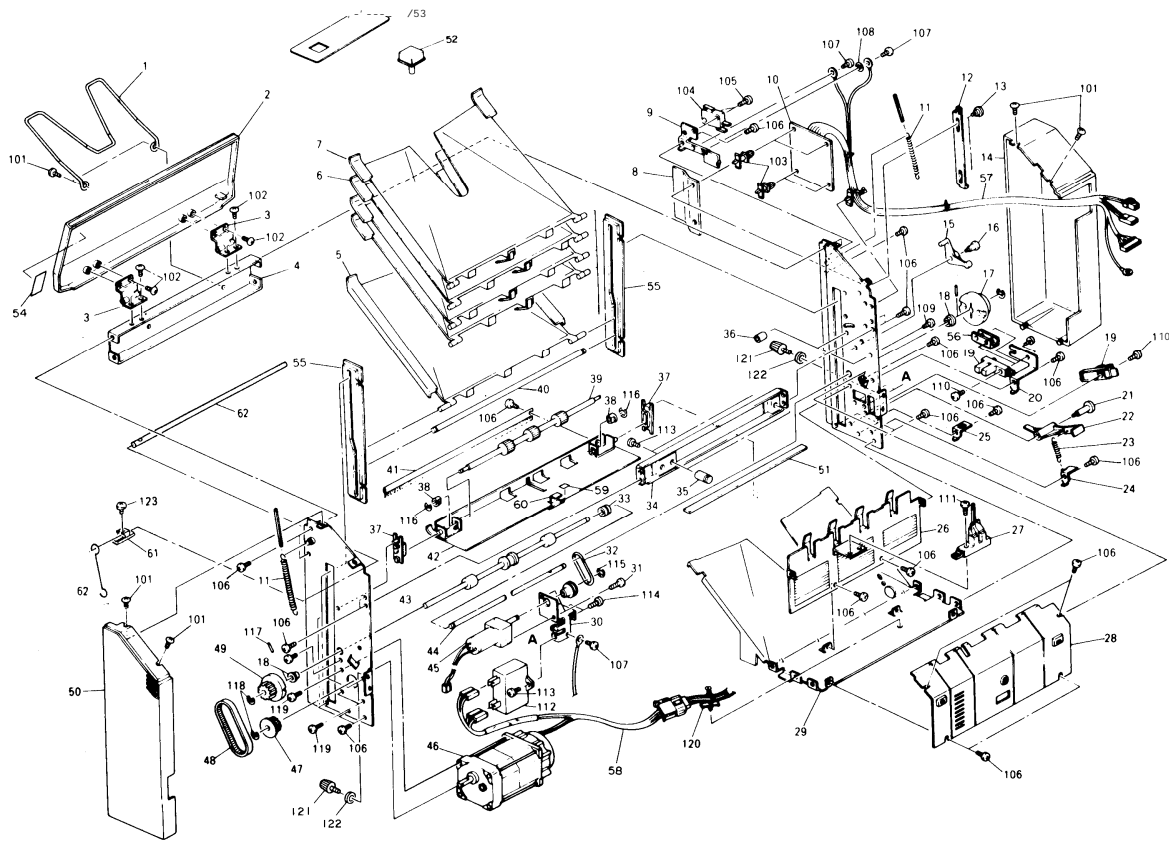


**CS-2070**  
**(A414)**

<b>1. Mini Sorter (A414)</b> . . . . .	<b>2</b>
<b>2. Bin Motor Board (A414)</b> . . . . .	<b>4</b>
<b>3. Sorter Harness (A414)</b> . . . . .	<b>6</b>
<b>Parts Index</b> . . . . .	<b>9</b>

# 1. MINI SORTER (A414)

Jan. 31, '89





## 2. BIN MOTOR BOARD (A414)

Jan. 31, '89

CONNECTOR

SYMBOL NO.	INDEX NO.
CN101	101
CN102	102
CN103	104
CN104	103

DIODE

SYMBOL NO.	INDEX NO.
D101	106
D102	106

SSR

SYMBOL NO.	INDEX NO.
SSR101	105
SSR102	105

## 2. BIN MOTOR BOARD (A414)

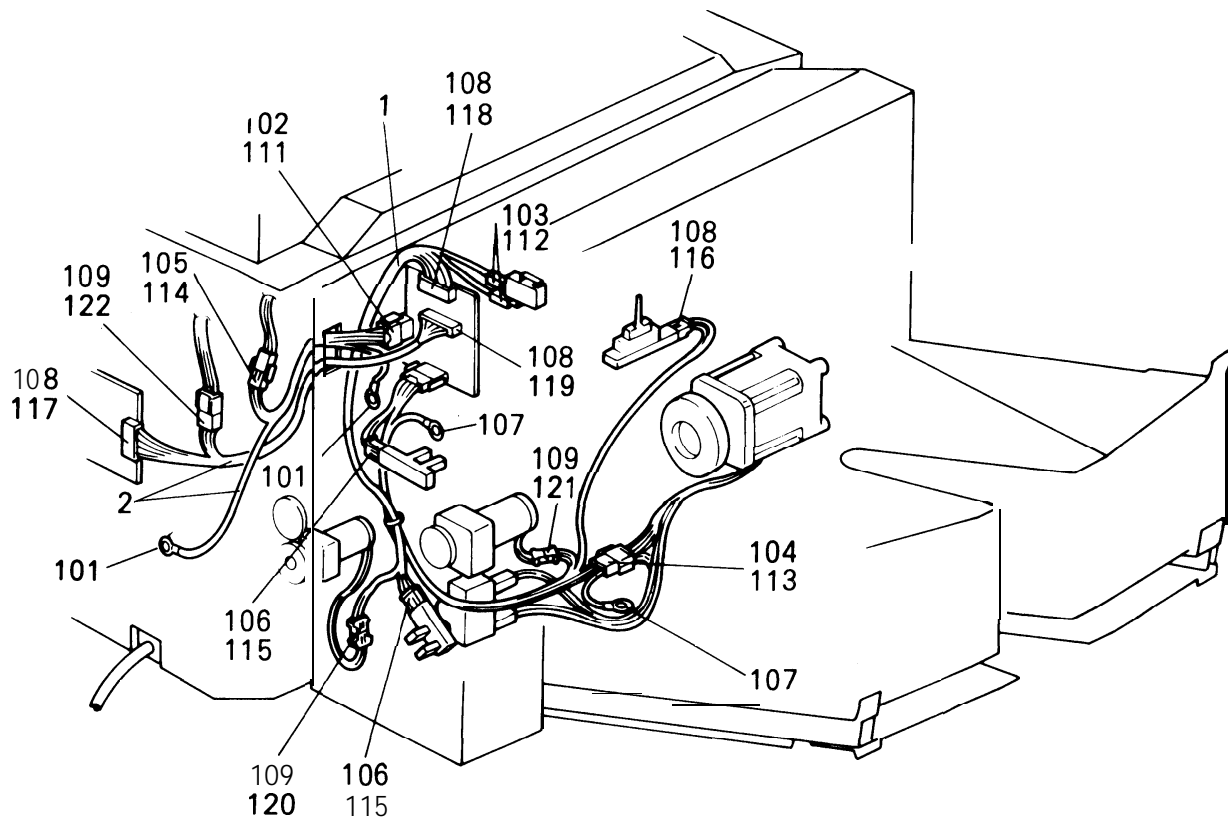
Jan. 31, '89

Index No.	Part No.	Description	Q'ty Per Assembly
*	6803 5500	Bin Motor Board	1

Index No.	Part No.	Description	Q'ty Per Assembly
101	1102 0995	connector - 2P	
102	1102 1194	in Connector - 3P	
103	1103 1695	connector - 15P	
104	1103 1748	connector - 12P	
105	1208 1024	olid State Relay - 240, 2A	
106	1401 0832	diode - DSA1A1	

### 3. SORTER HARNESS (A414)

Jan. 31, '89



### 3. SORTER HARNESS (A414)

Jan. 31, '89

Index No.	Part No.	Description	Q'ty Per Assembly
1	6803 5600	Main Harness	1
2	6803 5610	Interface Harness	1

Index No.	Part No.	Description	Q'ty Per Assembly
101	100 0051	Slid Strand	
102	100 1042	Socket - Mate-N-Lock	
103	100 1169	Listening Receptacle	
104	1100 1238	Pin - Mate-N-Lock	
105	1100 1239	Pin - Mate-N-Lock	
106	1100 1249	Receptacle Terminal	
107	1100 1264	Terminal	
108	1100 1327	Pin	
109	1100 1328	Pin	
110	1102 0512	Connector - 3P	
111	1102 0983	Connector - 2P	
112	1102 1408	Receptacle Housing	
113	1102 1508	Connector - 3P	
114	1102 1524	Connector - 2P	
115	1102 1620	Receptacle Housing - 3P	
116	1102 1911	Connector - 3P	
117	1102 1919	Connector - 11P	
118	1102 1923	Connector - 15P	
119	1102 1934	Connector - 12P	
120	1102 1952	Connector - 2P	
121	1102 1964	Connector - 2P	
122	1102 1966	Connector - 4P	